

Important Note



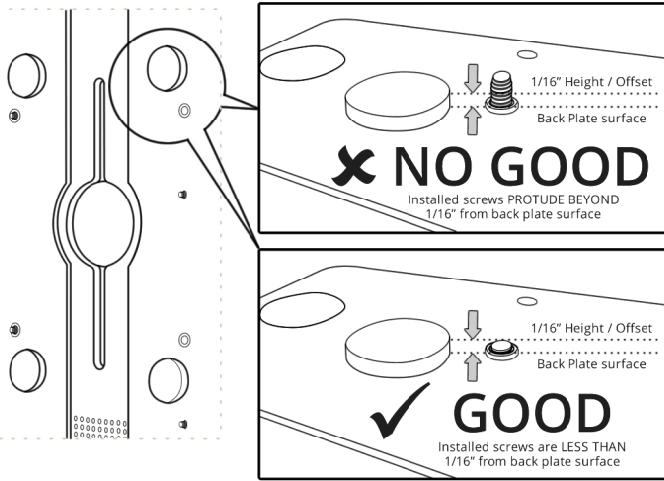
For best results, use VidaMount VESA brackets (from VidaBox) for this enclosure. It has been specifically fitted to work with this item.

Other VESA mounting hardware can only be used after carefully checking the VESA mount screw length (Step F). Too long a screw will crush and damage the iPad!

F Check VESA screw length (On non-VidaBox VESA Mounts)

With the VESA screws installed, look on the inside of the back plate.

Check to make sure that the screw lengths DO NOT PROTRUDE beyond 1/16" from the back plate surface. See diagrams below.



New, shorter screws will be needed. Using these screws WILL DAMAGE the iPad when enclosure is fully assembled!

Proceed to Step G ONLY after the screw length is confirmed "Good."

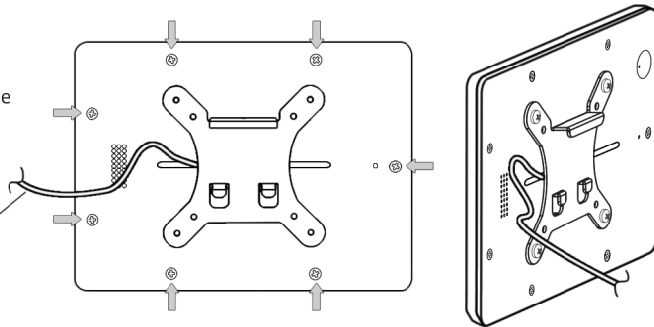
G Reassemble the Enclosure

Reinstall the (7) screws removed in Step A.

Be sure the iPad cable can be routed out of the enclosure. If not, go back to Step C and cut the grooves needed.

iPad USB-C Cable

The iPad is now securely installed in the enclosure!



 **VIDABOX**
125 Newtown Rd, Ste 100
Plainview, NY 11803 USA

Toll-free US: (844) 4-KIOSKS
Worldwide: +1 516-499-5050
Australia: +61 1300 44 VIDA
EU/UK: +44 333 444 VIDA

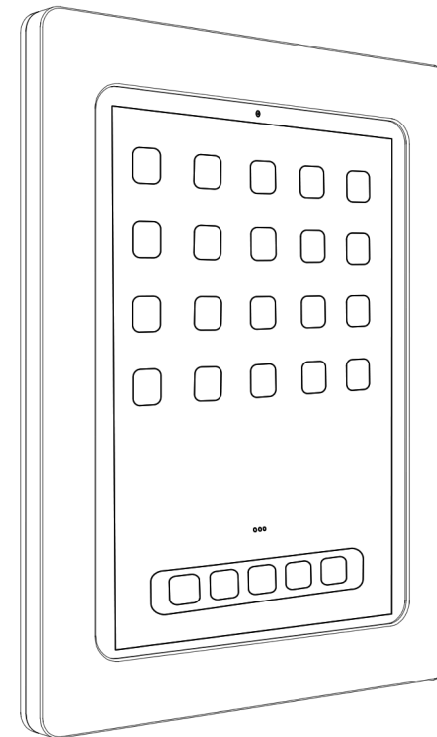
INSTALLATION GUIDE

**VidaMount VESA Enclosure : for iPad Air 11 M2,
iPad Air 10.9 Gen 4|5, & iPad Pro 11 Gen 1|2|3|4**

VB_VESA_IPRO2G110

Designed to securely enclose iPad Air 11 M2,
Air 10.9 Gen 4|5, & iPad Pro 11" Gen 1|2|3|4 tablets ONLY

Compatible with VESA 100x100 mounts



US Patent No. 20220205284

[iPad is shown for illustrative purposes & not included]

Installation Instructions

VidaMount VESA Enclosure : iPad Pro 11 Gen 1|2|3|4 iPad Air 10.9 Gen 4|5, Air 11 M2

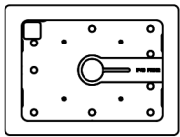
Important Note



For best results, use VidaMount VESA brackets (from VidaBox) for this enclosure. It has been specifically fitted to work with this item.

Other VESA mounting hardware can only be used after carefully checking the VESA mount screw length (Step F). Too long a screw will crush and damage the iPad!

Component Checklist

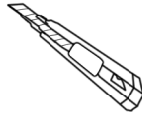


iPad Resin Enclosure
(Already assembled)

TOOLS YOU'LL NEED (not included)



Phillips head
Screwdriver



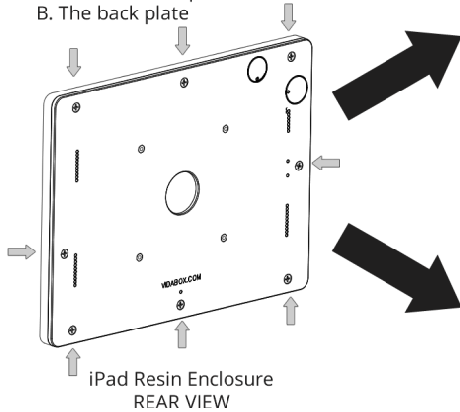
Knife / Box Cutter
(OPTIONAL)

A Disassembling the Enclosure

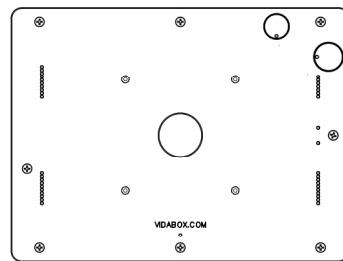
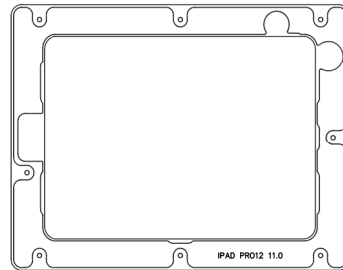
Remove the flat-head screws as shown. Set aside the loose hardware carefully.

We will need this hardware again later.

We now have (2) pieces:
A. The front face plate
B. The back plate



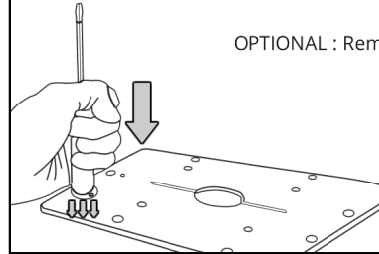
A. FRONT FACE PLATE



B. BACK PLATE

IMPORTANT: Diagrams are generalized for iPads - your exact enclosure may appear slightly different!

B Optional : Remove Power Button Knockout (If needed)



OPTIONAL : Remove only if access to the power button is always required.

Using the blunt end of the screwdriver, press down on the circular knockout, as shown.

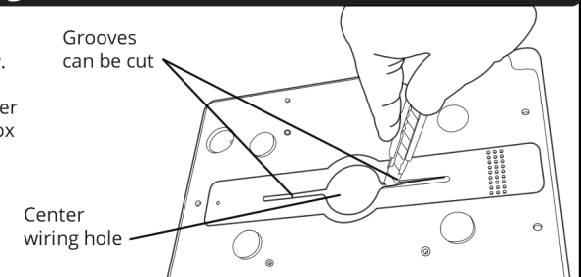
This will pop out the power button access panel.

C Optional : Cut Wiring Grooves (If needed)

OPTIONAL : Remove only if necessary.

If using a VESA mount where the center wiring hole is blocked, use a knife / box cutter, and cut out the grooves.

This will allow the tablet's wires to be routed properly.



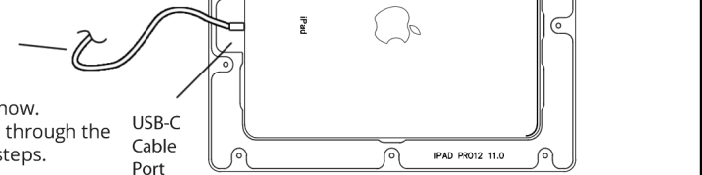
D Install iPad into Front Face Plate

Orient the iPad properly and install it into the front face plate as shown.

Be sure the power button, volume buttons, & USB-C cable ports line up properly.



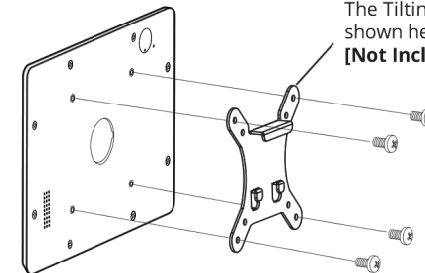
iPad Cable



Connect the iPad cable now. It will need to be routed through the center hole in the next steps.

E Install VESA Mount onto Back Plate

Install the VESA Mount onto the back plate of the Tablet Enclosure.



The Tilting Wall Mount is shown here as an example. **[Not Included / Sold Separately]**

PRO-TIP

VESA Bracket shape & appearance will vary based on which model you selected